

10.6



4" - 12" A-2361 RESILIENT WEDGE GATE VALVES - FL. x FL.

Rev. 8-15 Shaded area indicates changes

- Catalog number – **A-2361-6** flanged ends
- Sizes – 4", 6", 8", 10", 12"
- Meets or exceeds all applicable requirements of ANSI/AWWA C515 Standard, UL Listed, FM Approved, and certified to ANSI/NSF 61 & 372.
- Flanged end drilling complies with ANSI B16.42 Class 150**
- Iron body with nominal 10 mils MUELLER® Pro-Guard® Fusion Epoxy Coated interior and exterior surfaces
- Epoxy coating meets or exceeds all applicable requirements of ANSI/AWWA C550 Standard.
- Iron wedge, symmetrical & fully encapsulated with molded rubber; no exposed iron
- Non-rising stem (NRS)
- Triple O-ring seal stuffing box (2 upper & 1 lower O-rings), with fourth o-ring serving as dirt seal
- 2" square wrench nut – open left or open right (optional handwheel available)
- 350 psig (2400 kPa/24 barg) maximum working pressure, 700 psig (4800 kPa/48 barg) static test pressure
- UL Listed, FM Approved: 350 psig (2400 kPa/24 barg)
- Mueller valves are designed for potable water application



A-2361-6

† Approved for backflow prevention devices by USC (for 4" - 10" sizes)

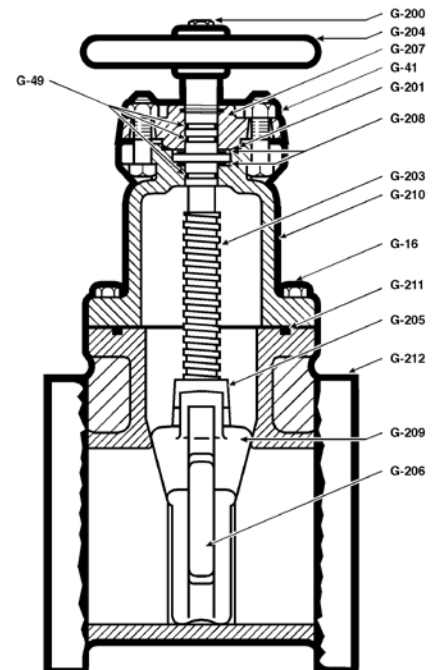
Options

See page 10.46 for more information on Resilient Wedge Gate Valve options

- Post indicators
- Stainless steel fasteners: Type 316
- Stainless steel stem: Type 304, Type 316
- 2" square wrench nut
- P/N 10/16 Drilling
- EPDM Disc and O-rings
- ASTM B98-C66100/H02 stem

Resilient wedge gate valve parts

Catalog Part No.	Description	Material	Material Standard
G-16	Bonnet Bolts & Nuts	304 Stainless Steel	ASTM F593 (bolt) ASTM F594 (nut)
G-41	Stuffing Box Bolts & Nuts	304 Stainless Steel	ASTM F593 (bolt) ASTM F594 (nut)
G-49	Stem O-rings (3)	Nitrile	ASTM D2000
G-200	Wrench Nut Cap Screw	304 Stainless Steel	ASTM F593
G-201	Stuffing Box O-ring	Nitrile	ASTM D2000
G-202	Wrench Nut	Ductile Iron	ASTMA536 ▼
G-203	Stem	Bronze	ASTM B138
G-204	Hand Wheel	Cast Iron	ASTM A126 CL.B
G-205	Stem Nut	Bronze	ASTM B584
G-206	Guide Cap Bearings	Acetal	-
G-207	Stuffing Box with dirt seal	Ductile Iron Nitrile	ASTM A536 ▼ ASTM D2000
G-208	Anti-friction Washers (2)	Acetal	-
G-209	Wedge, Rubber Encapsulation	Ductile Iron* SBR	ASTM A536 ▼ ASTM D2000
G-210	Bonnet	Ductile Iron	ASTMA536 ▼
G-211	Bonnet gasket	Nitrile	ASTM D2000
G-212	Body	Ductile Iron	ASTMA536 ▼



*Fully encapsulated in molded rubber with no iron exposed

▼ Material strength ASTM A536 65-45-12 minimum

** Per ANSI/AWWA C111, working pressure above 250psi requires the use of a special gasket rated for the higher pressure.

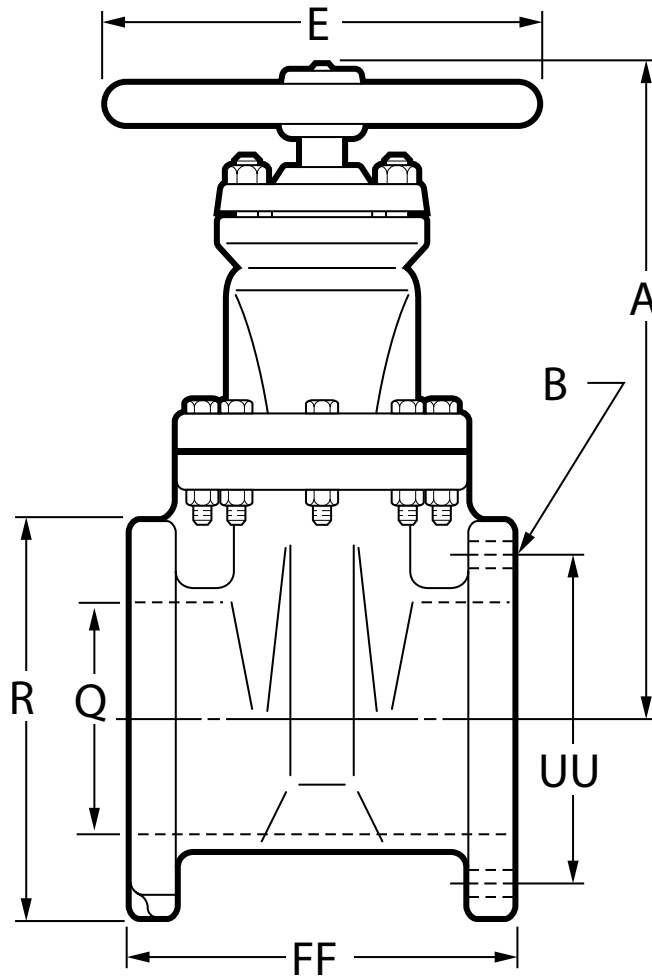
SEE PAGE 10.53 FOR ORDERING INSTRUCTIONS

4"- 12" A-2361 RESILIENT WEDGE GATE VALVES - FL. x FL.

Mueller Co.

10.7

Shaded area indicates change Rev. 3-15



Dimensions

Dimension	Nominal Size				
	4"	6"	8"	10"	12"
A	14.19	18.00	21.50	25.50	28.62
E	11.00	13.00	14.00	16.00	16.00
R	9.00	11.00	13.50	16.00	19.00
FF	9.00	10.50	11.50	13.00	14.00
Q (bore)	4.30	6.30	8.30	10.30	12.30
UU (bolt circle diameter)	7.50	9.50	11.75	14.25	17.00
B (number and size of holes)	8--.75	8--.88	8--.88	12--1.00	12--1.00
Turns to open	14	20.5	26.5	33	38.5
Weight*	86	148	232	358	482

*All dimensions are in inches. All weights are in pounds and are approximate.

Rev. 8-15 Shaded area indicates changes

- Catalog number–
A-2361-41 Slip-on† end (with gasket) x flange end
A-2361-43 Slip-on† end (less gasket) x flange end
- Sizes – 4", 6", 8", 10", 12"
- Meets or exceeds all applicable requirements of ANSI/AWWA C515 Standard, UL Listed, FM Approved, and certified to ANSI/NSF 61 & 372..
- Slip-on ends fit plain end of classes 150, 200 and 250 cast iron, ductile iron and classes 150 and 200 cast iron O.D. PVC
- Flange end drilling complies with ANSI B16.42 Class 150**
- Iron body with nominal 10 mils MUELLER® Pro-Gard® Epoxy Fusion Coated interior and exterior surfaces
- Epoxy coating meets or exceeds all applicable requirements of ANSI/AWWA C550 Standard.
- Iron wedge, symmetrical & fully encapsulated with molded rubber; no exposed iron
- Non-rising stem (NRS)
- Triple O-ring seal stuffing box (2 upper & 1 lower O-rings), with fourth O-ring serving as dirt seal
- 2" square wrench nut (optional handwheel available) – open left or open right
- 350 psig (2400 kPa/24 barg) maximum working pressure, 700 psig (4800 kPa/48 barg) static test pressure
- UL Listed, FM Approved: 350 psig (2400 kPa/24 barg)
- Mueller valves are designed for potable water application



A-2361-41

Slip-on end on this valve is not intended for use with Field Lok†† restrained gaskets. Use valve on page 10.13C

†Design and dimensions of the joint are manufactured under license of U.S. Pipe and Foundry Company.
 ††Field Lok is a trademark of U.S. Pipe and Foundry Company, used with permission.

Options

See page 10.46 for more information on Resilient Wedge Gate Valve options

- Position indicators
- Stainless steel fasteners: Type 316
- Stainless steel stem: Type 304, Type 316
- ASTM B98-C66100/H02 stem
- Handwheel
- EPDM Disc and o-rings

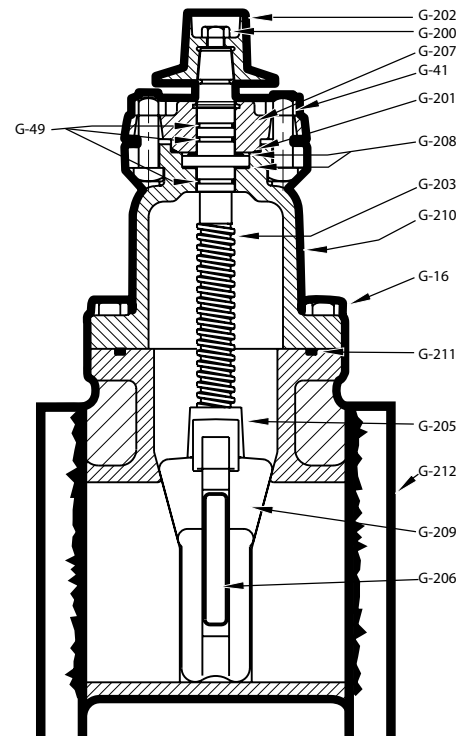
Resilient wedge gate valve parts

Catalog Part No.	Description	Material	Material Standard
G-16	Bonnet Bolts & Nuts	304 Stainless Steel	ASTM F593 (bolt) ASTM F594 (nut)
G-41	Stuffing Box Bolts & Nuts	304 Stainless Steel	ASTM F593 (bolt) ASTM F594 (nut)
G-49	Stem O-rings (3)	Nitrile	ASTM D2000
G-200	Wrench Nut Cap Screw	304 Stainless Steel	ASTM F593
G-201	Stuffing Box O-ring	Nitrile	ASTM D2000
G-202	Wrench Nut	Ductile Iron	ASTMA536 ▼
G-203	Stem	Bronze	ASTM B138
G-204	Hand Wheel (not shown)	Cast Iron	ASTM A126 CL.B
G-205	Stem Nut	Bronze	ASTM B584
G-206	Guide Cap Bearings	Acetal	-
G-207	Stuffing Box with dirt seal	Ductile Iron Nitrile	ASTM A536 ▼ ASTM D2000
G-208	Anti-friction Washers (2)	Acetal	-
G-209	Wedge, Rubber Encapsulation	Ductile Iron* SBR	ASTMA536 ▼ ASTM D2000
G-210	Bonnet	Ductile Iron	ASTMA536 ▼
G-211	Bonnet O-ring	Nitrile	ASTM D2000
G-212	Body	Ductile Iron	ASTMA536 ▼

*Fully encapsulated in molded rubber with no iron exposed

▼ Material strength ASTM A536 65-45-12 minimum

** Per ANSI/AWWA C111, working pressure above 250psi requires the use of a special gasket rated for the higher pressure.

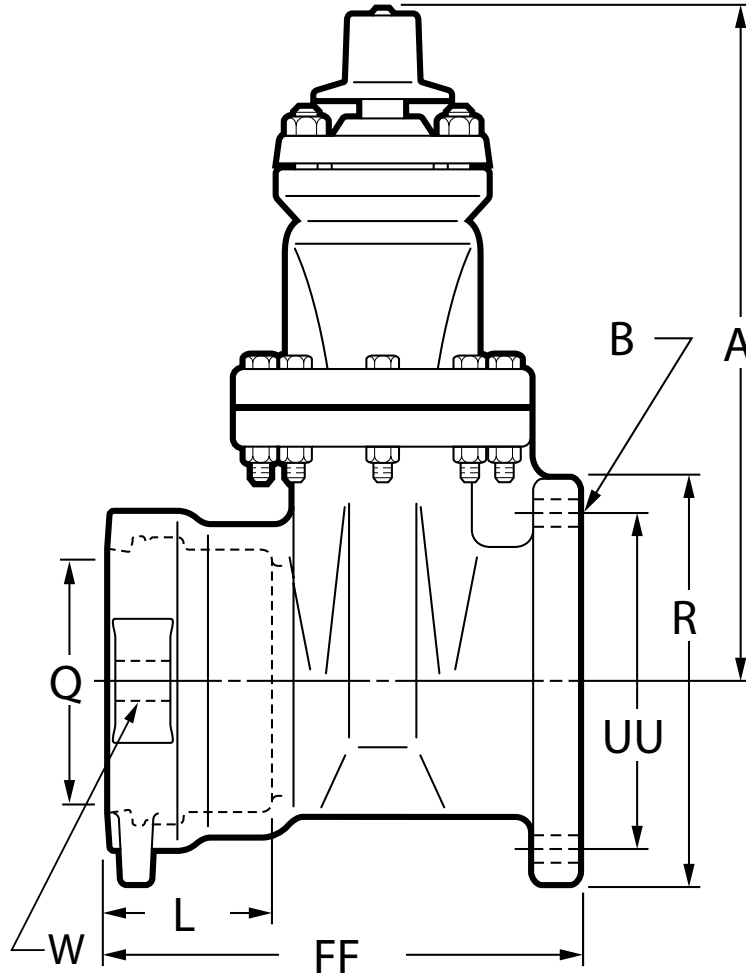


4"- 12" A-2361 RESILIENT WEDGE GATE VALVES - SL. x FL.

Mueller Co.

10.13

Rev. 1-15



Dimensions

Dimension	Nominal Size				
	4"	6"	8"	10"	12"
A	14.19	18.00	21.50	25.50	28.62
Q (bore)	4.30	6.30	8.30	10.30	12.30
L	4.12	4.38	5.62	5.62	5.62
R	9.00	11.00	13.50	16.00	19.00
UU (bolt circle diameter for FL)	7.50	9.50	11.75	14.25	17.00
B (number and size of holes for FL)	8--.75	8--.88	8--.88	12--1.00	12--1.00
W (distance between strapping lug holes across face of valve ends)	8.62	10.62	13.12	16.38	18.12
FF	10.91	12.73	14.72	15.75	16.35
Turns to open	14	20.5	26.5	33	38.5
Weight*	98	152	260	400	565

*All dimensions are in inches. All weights are in pounds and are approximate.

Rev. 4-15 Shaded area indicates changes

- Catalog number– **A-2361-6** flanged ends
- Sizes – 14", 16", 18", 20", 24", 30", 36", 42", 48", 54"
- Meets or exceeds all applicable requirements of ANSI/AWWA C515 Standard (thru 48"), UL Listed (thru 24"), FM Approved (thru 16"), and certified to ANSI/NSF 61.
- Flanged end dimensions and drilling complies with ANSI B16.42 Class 150
- Ductile iron body and bonnet with nominal 10 mils MUELLER® Pro-Gard® Fusion Epoxy coating interior and exterior surfaces; 30" – 54" valves coated with Mueller HP Epoxy coating.
- Epoxy coatings meet or exceed all applicable requirements of ANSI/AWWA C550 Standard.
- Ductile iron wedge, symmetrical & fully encapsulated with molded rubber; no exposed iron.
- Non-rising stem (NRS)
- Triple O-ring seal stuffing box (2 upper & 1 lower O-ring)
- 2" square wrench nut (optional bevel or spur gearing) – open left or open right
30" - 54" require a Spur Gear or Bevel Gear
- 250 psig (1725 kPa/17 barg) maximum working pressure, 500 psig (3400 kPa/34 barg) static test pressure
- 14" and 16" sizes – UL Listed, FM Approved: 250 psig (1725 kPa/17 barg)
- 18", 20" and 24" sizes – UL Listed (without gearing): 175 psig (1200 kPa/12 barg)
- Mueller valves are designed for potable water application



A-2361-6

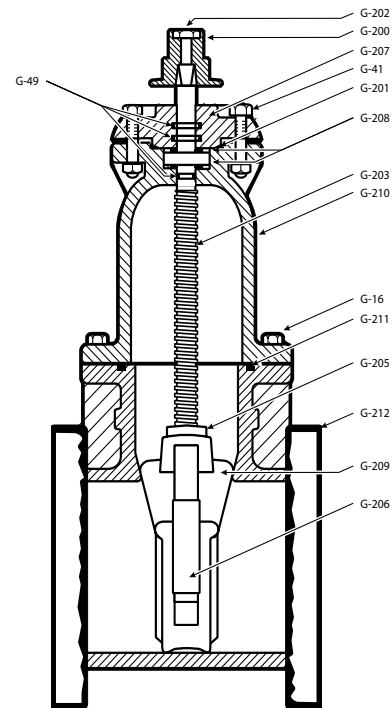
Options

See page 27 for more information on Resilient Wedge Gate Valve options

- Stem Options:
 - 14"-16" Bronze ASTM B98-C66100/H02
 - Stainless Steel, Type 304, Type 316
 - 18"-54" Bronze ASTM B763-C99500
 - Stainless Steel Type 304, Type 316
- Stainless steel fasteners: Type 304, Type 316
- Position indicators
- Bypass 16"- 54" (2" on 16"-20"; 2.5" on 24"; 3" on 30"- 36", 4" on 42"-54")
- Handwheel
- Spur or bevel geared actuator
- EPDM Disc and o-rings, 14"-16" optional, 18"-54" standard

Resilient wedge gate valve parts

Catalog Part No.	Description	Material	Material Standard
G-16	Bonnet Bolts & Nuts	Carbon Steel	SAE J429 (bolt) ASTM A563 (nut)
G-41	Stuffing Box Bolts & Nuts	Carbon Steel	SAE J429 (bolt) ASTM A563 (nut)
G-49	Stem O-rings (3)†	Nitrile	ASTM D2000
G-200	Wrench Nut Cap Screw	Carbon Steel	SAE J429
G-201	Stuffing Box O-ring†	Nitrile	ASTM D2000
G-202	Wrench Nut	Cast Iron+	ASTM A126 CL.B
G-203	Stem	Bronze	ASTM B138**
G-204	Hand Wheel (not shown)	Cast Iron+	ASTM A126 CL.B
G-205	Stem Nut	Bronze	ASTM B584
G-206	Guide Cap Bearings	Acetal	-
G-207	Stuffing Box	Ductile Iron++	ASTM A536 ▼
G-208	Anti-friction Washers (2)	Acetal	-
G-209	Wedge, Rubber Encapsulation	Ductile Iron* SBR†	ASTM A536 ▼ ASTM D2000
G-210	Bonnet	Ductile Iron	ASTM A536 ▼
G-211	Bonnet O-ring †	Nitrile	ASTM D2000
G-212	Body	Ductile Iron	ASTM A536 ▼



* Fully encapsulated in molded rubber with no iron exposed

† 18"-54" EPDM standard

++ 30"-54" are hot rolled steel ASTM A36

** 18"-54" ASTM B584

+ Manufacturers option to change material to Ductile iron ASTM A536

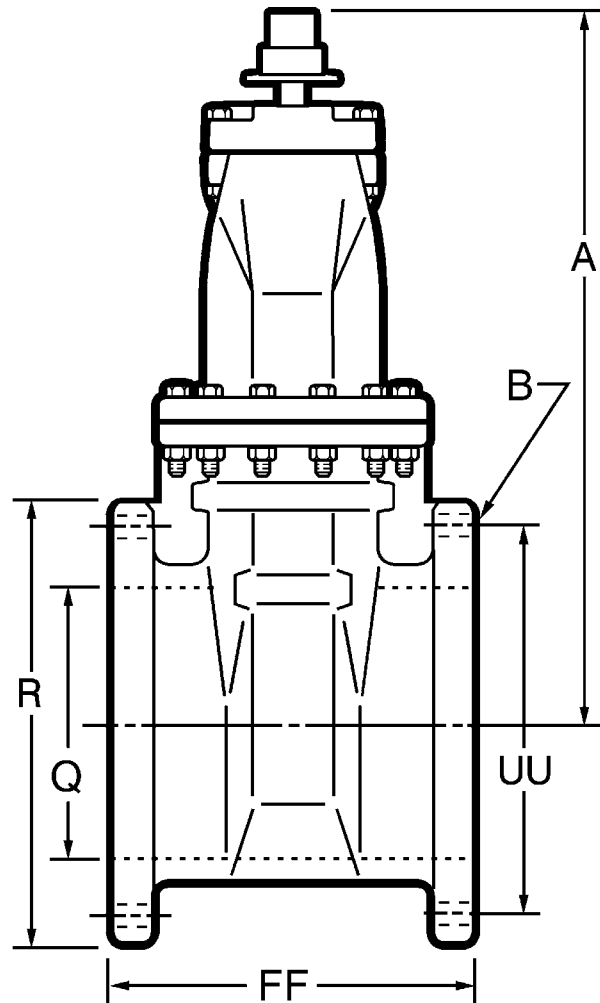
▼ Material strength ASTM A536 65-45-12 minimum

14"- 54" A-2361 D.I. RESILIENT WEDGE GATE VALVES - FL. x FL.

Mueller Co.

10.15

Rev. 4-14



Dimensions

Dimension*	Nominal Size									
	14"	16"	18"	20"	24"	30" †	36" †	42" †	48" †	54" †
A	32.75	37.88	44.19	48.25	53.88	See A for Spur or Bevel Gear				
R	21.00	23.50	25.00	27.50	32.00	38.75	46.00	53.00	59.50	66.34
FF	15.06	16.06	17.00	18.00	20.00	26.00	30.00	38.00	43.00	48.00
Q (bore)	14.38	16.00	18.38	20.38	24.38	30.38	36.38	42.38	48.38	48.38
UU (bolt circle diameter)	18.75	21.25	22.75	25.00	29.50	36.00	42.75	49.50	56.00	62.76
B (number and size of holes)	12--1.125	16--1.125	16--1.25	20--1.25	20--1.38	28--1.38	32--1.63	36--1.63	44--1.63	44--2.00
A- Spur Gear	40.49	43.58	49.41	53.01	59.15	70.81	83.08	97.74	109.70	109.70
A - Bevel Gear**	34.55	37.77	44.50	47.69	54.06	64.93	77.19	90.75	102.61	102.61
Turns to open (without gearing)	43.5	49	57	63	75	-	-	-	-	-
Turns to open (Spur gearing)††	178	201	234	258	308	381	455	524	596	596
Turns to open (Bevel gearing)††	174	196	228	252	300	372	444	524	596	596
Weight*	690	859	1284	1774	2481	6390	8220	13400	19978	20900

*All dimensions are in inches. All weights are in pounds and are approximate. Weights for 30"-54" valves are with gearing; for all others without gearing.

**Center line of operating nut to center line of valve.

†Spur or Bevel Gear must be used with 30", 36", 42", 48" & 54" valves.

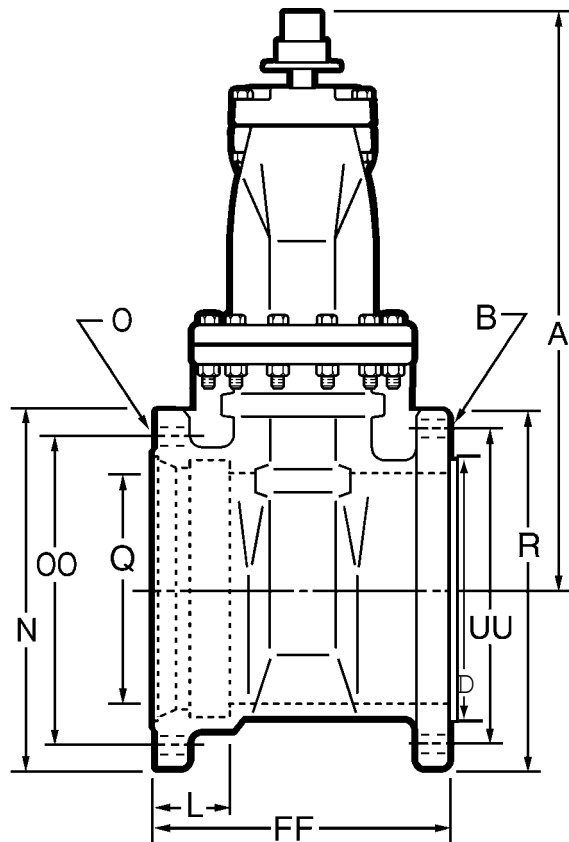
††Turns shown are for Rotoric gearing supplied by Mueller Co.

14"- 48" MUELLER® T-2361 RESILIENT WEDGE GATE VALVE - D.I. - M.J. X FL. ENDS

Mueller Co.

12.17

Rev. 5-08



Dimensions

Dimensions*	Nominal Size								
	14"	16"	18"	20"	24"	30"†	36"†	42"†	42"†
A	32.75	37.88	44.19	48.25	53.88	See A for spur or bevel gear			
D	15.25	17.25	19.47	21.47	25.47	30.94	36.94	43.44	49.44
L	3.50	3.50	3.50	3.50	3.50	4.00	4.00	4.00	4.00
N	20.25	22.56	24.76	27.25	31.51	39.53	46.41	53.53	60.41
O (number and size of holes for MJ)	10--.88	12--.88	12--.88	14--.88	16--.88	20--1.25	24--1.25	28--1.38	32--1.38
Q (bore)	14.38	16.00	18.38	20.38	24.38	30.38	36.38	42.38	48.38
OO (bolt circle diameter for MJ)	18.75	21.00	23.25	25.50	30.00	36.88	43.75	50.62	57.50
R	21.00	23.50	25.00	27.50	32.00	38.75	46.00	53.00	59.50
UU (bolt circle diameter for FL)	18.75	21.25	22.75	25.00	29.50	36.00	42.75	49.50	56.00
FF	17.41	17.91	19.25	19.75	21.75	29.75	33.75	40.38	43.79
B	12--1.12	16--1.12	16--1.25	20--1.25	20--1.38	28--1.38	32--1.63	36--1.63	44--1.63
A - spur gear	38.50	43.58	49.41	53.01	59.51	70.81	83.08	97.84	109.70
A - bevel gear**	34.00	37.38	44.50	47.69	54.06	64.93	77.19	90.75	102.61
Turns to open (without gearing)	43.5	48	57	63	75	-	-	-	-
Turns to open (spur gearing)	178	201	234	258	308	381	455	524	596
Turns to open (bevel gearing)	196	221	257††	284††	338††	372	444	524	596
Weight*	655	875	1226	1500	2375	5100	8400	13300	19700

*All dimensions are in inches. All weights are in pounds and are approximate. Weights for 30"-48" valves are with gearing; for all others without gearing.

**Center line of operating nut to center line of valve.

†Spur or Bevel Gear must be used with 30", 36", 42", 48" valves.

††Turns shown for Master Gear bevel gearing. Valves with Limitorque bevel gearing: 18" - 227, 20" - 251, 24" - 300".

Rev. 8-15 Shaded area indicates changes

- Catalog number--
T-2361-16 mechanical joint x flanged ends (with mechanical joint unassembled accessories)
T-2361-19 mechanical joint x flanged ends (less mechanical joint accessories)
- Sizes - 4", 6", 8", 10", 12"
- Meets or exceeds all applicable requirements of ANSI/AWWA C515 Standard, certified to ANSI/NSF 61 standard, listed by Underwriters Laboratories Inc. and ULC, approved by Factory Mutual Corp.
- Inlet flange complies with ANSI B16.42 Class 150*** drilling and with MSS SP-60.
- Mechanical joint outlet complies with ANSI/AWWA C111 Standard.
- Iron body with nominal 10 mils MUELLER® Pro-Gard™ Epoxy Fusion Coated interior and exterior surfaces.
- Epoxy coating meets or exceeds all applicable requirements of ANSI/AWWA C550 Standard
- Iron wedge, symmetrical & fully encapsulated with molded rubber; no exposed iron.
- Non-rising stem (NRS).
- Triple O-ring seal stuffing box (2 upper & 1 lower O-ring), with fourth O-ring serving as dirt seal
- 2" square wrench nut (optional handwheel available)--open left or open right.
- 4"-12" sizes--350 psig (2400 kPa/24 barg) maximum working pressure, 700 psig (4800 kPa/48 barg) static test pressure
- Mueller valves are designed for potable water applications.



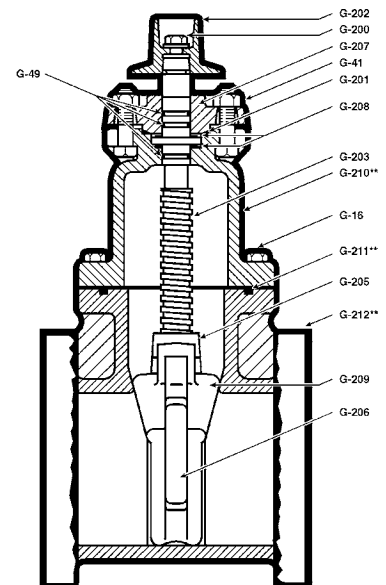
T-2361-16
M.J. accessories
shipped unassembled

Options

- Position indicators
- Stainless steel fasteners: Type 316
- Stainless steel stem: type 304 and type 316
- ASTM B98-C66100/H02 stem
- Handwheel
- EPDM disc and o-rings

Resilient wedge gate valve parts

Catalog Part Number	Description	Material	Material standard
G-16	Bonnet bolts and nuts	304 Stainless steel	ASTM F593 (bolt) ASTM F594 (nut)
G-41	Stuffing box bolts and nuts	304 Stainless steel	ASTM F593 (bolt) ASTM F594 (nut)
G-49	Stem o-rings (3)	Nitrile	ASTM D2000
G-79	Inlet flange gasket	Nitrile	ASTM D2000
G-80	Inlet flange bolts and nuts	Steel	ASTM D242
G-200	Wrench nut cap screw	Stainless steel	ASTM F593
G-201	Stuffing box seal	Nitrile	ASTM D2000
G-202	Wrench nut	Cast Iron+	ASTM A126 CL.B
G-203	Stem	Bronze	ASTM B138
G-204	Handwheel (not shown)	Cast Iron	ASTM A126 CL.B
G-205	Stem nut	Bronze	ASTM B62
G-206	Guide cap bearings	Acetal	-
G-207	Stuffing box	Cast Iron Rubber	ASTM A126 CL.B ASTM D2000
G-208	Anti-friction washer (2)	Acetal	-
G-209	Wedge Rubber encapsulated	Ductile Iron* SBR	ASTM A536 ▼ ASTM D2000
G-210**	Bonnet	Ductile Iron	ASTM A536 ▼
G-211**	Bonnet gasket	Nitrile	ASTM D2000
G-212**	Body	Ductile Iron	ASTM A536 ▼



* Fully encapsulated in molded rubber with no iron exposed

** Previous to 1999 these parts on 4"-12" valves were designed with a gasket instead of an O-ring and with additional bolts. Confirm the type of seal when ordering a replacement gasket or O-ring.

+ Manufacturers option to change material to Ductile Iron ASTM A536

▼ Material strength ASTM A536 65-45-12 minimum

*** Per ANSI/AWWA C111, working pressure above 250psi requires the use of a special gasket rated for the higher pressure.

Rev. 4-14 Shaded area indicates changes

- Catalog number--
T-2361-16 mechanical joint x flanged ends (with mechanical joint unassembled accessories)
T-2361-19 mechanical joint x flanged ends (less mechanical joint accessories)
- Size-- 14", 16"††, 18", 20", 24", 30", 36", 42", 48"
- Certified to ANSI/NSF 61 standard
- Inlet flange complies with ANSI B16.42 Class 150 drilling and with MSS SP-60.
- Flanged end dimensions and drilling comply with ANSI B16.1, class 125
- Mechanical joint end complies with ANSI/AWWA C111 Standard
- Ductile iron body with nominal 10 mils MUELLER® Pro-Gard™ Fusion Epoxy Coated interior and exterior surfaces; 30" thru 48" valves coated with Mueller HP epoxy.
- Epoxy coating meets or exceeds all applicable requirements of ANSI/AWWA C550 Standard
- Ductile iron wedge, symmetrical & fully encapsulated with molded rubber; no exposed iron.
- Non-rising stem (NRS)
- Triple O-ring seal stuffing box (2 upper & 1 lower O-ring)
- 2" square wrench nut – open left or open right 36"-48" require a Spur Gear or Beval Gear
- 250 psig (1700 kPa/17 barg) maximum working pressure, 500 psig (3400 kPa/34 barg) static test pressure
- 14" and 16" UL Listed: 175 psig (1200 kPa/12 barg); FM Approved: 250 psig (1725 kPa/17 barg)
- 18", 20" and 24" sizes – UL Listed: 175 psig (1200 kPa/12 barg)
- Mueller valves are designed for potable water applications.



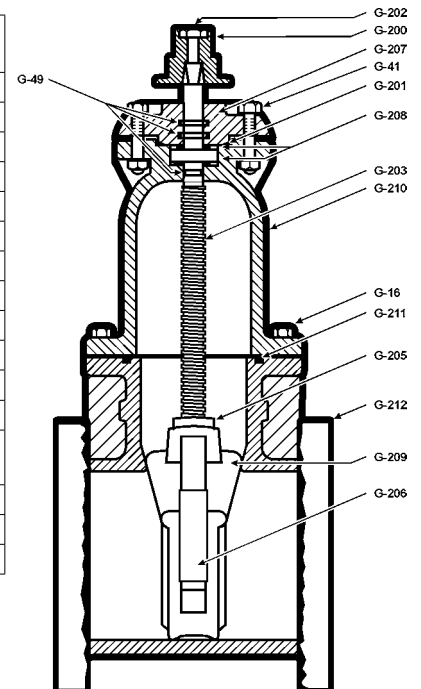
T-2361-16
M.J. accessories
shipped unassembled

Options

- Position indicators Stainless steel fasteners: Type 304, Type 316 Spur or Bevel Geared actuator
- ASTM B98-C66100/H02 stem; 14"-16" and ASTM B763-C99500; 18"-48" Stainless steel stem: Type 304, Type 316
- Bypass 18"-48" (2" on 18"-20"; 2.5 on 24"; 3" on 30"-48") and ASTM B763-C99500; 18"-36"
- EPDM disc and o-rings (14"-16" option, 18"-48" standard)

Resilient wedge gate valve parts

Catalog Part Number	Description	Material	Material standard
G-16	Bonnet bolts and nuts	Carbon steel	SAE J429 Grade 2 (bolts) ASTM A563 Grade A (nuts)
G-41	Stuffing box bolts and nuts	Carbon steel	SAE J429 Grade 2 (bolts) ASTM A563 Grade A (nuts)
G-49	Stem o-rings (3)†	Nitrile	ASTM D2000
G-200	Wrench nut cap screw	Carbon steel	SAE J429 Grade 2
G-201	Stuffing box o-ring seal†	Nitrile	ASTM D2000
G-202	Wrench nut	Cast Iron+++	ASTM A126 CL.B
G-203	Stem	Bronze	ASTM B138**
G-204	Handwheel (not shown)	Cast Iron	ASTM A126 CL.B
G-205	Stem nut	Bronze	ASTM B62
G-206	Guide cap bearings	Acetal	-
G-207	Stuffing box	Ductile Iron	ASTM A536 ▼
G-208	Anti-friction washer (2)	Acetal	-
G-209	Wedge Rubber encapsulated	Ductile Iron* SBR†	ASTM A536 ▼ ASTM D2000
G-210**	Bonnet	Cast Iron	ASTM A536 ▼
G-211**	Bonnet o-ring†	Nitrile	ASTM D2000
G-212**	Body	Cast Iron	ASTM A536 ▼



* Fully encapsulated in molded rubber with no iron exposed

**18" - 48" ASTM B584

†18" - 48" EPDM standard

††Must use 1/2" under size shell cutter

+++ Manufacturers option to change material to Ductile Iron ASTM A536

▼ Material strength ASTM A536 65-45-12 minimum